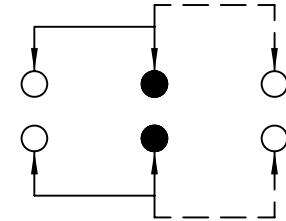
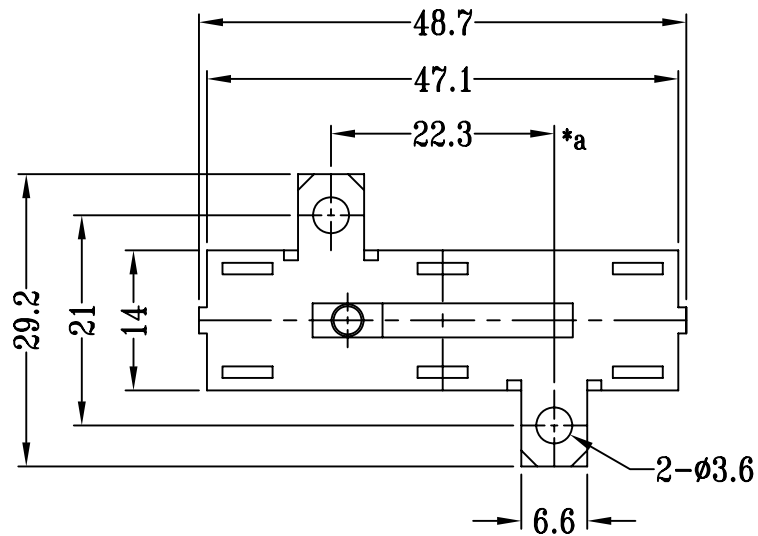
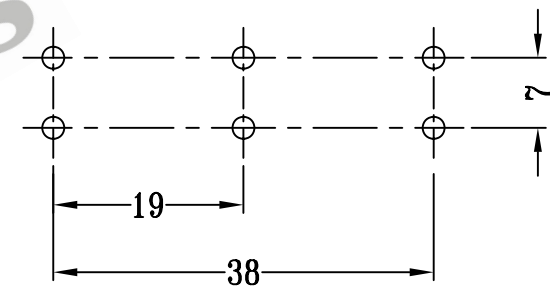
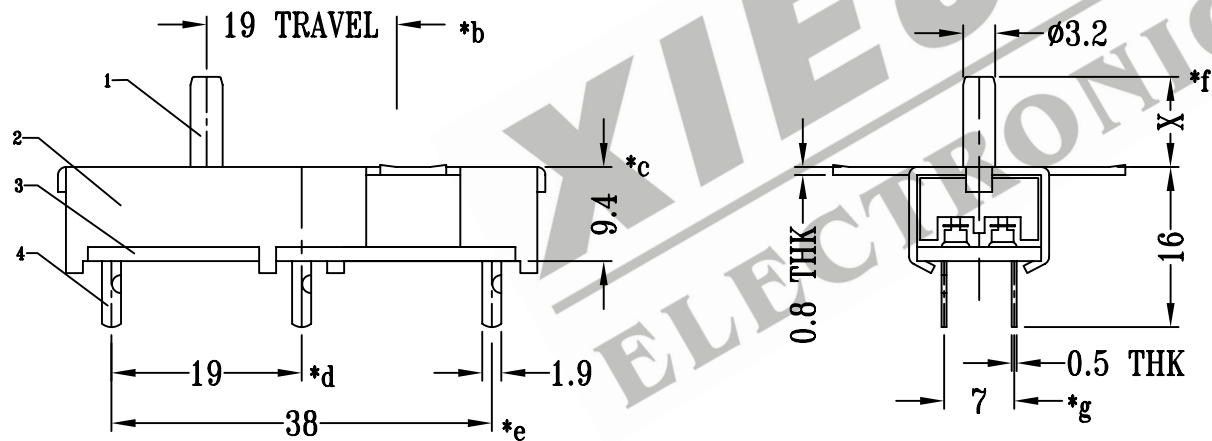


CAD FILE :



SCHEMATIC (NON-SHORTING)



P.C.B LAYOUT

注:带"*"表示关键尺寸(7个)

NO.	PART NAME	MATERIAL	QTY.	FINISHING	TOLERANCE UNLESS SPECIFIED		SHENZHEN XIEJIA ELECTRONICS CO.,LTD.				
8					WITHIN : 1.5±0.1mm OVER : 1.5±0.2mm		TITLE: VERTICAL SLIDE SWITCH MODEL: SS-22RQ01 UNIT : M M SCALE : 5:4 DRWG NO : XJ-DR-SS22RQ01-00				
7	CONTACT CLIP	BRASS STRIP	2	Ag PLATED							
6	SCREEN	ALUMINIUM	1	NATURAL	ISSUE		DATE		DESCRIPTIONS		APPD
5	SPRING PLATE	PBS STRIP	2	NATURAL							
4	TERMINAL	BRASS STRIP	6	Ag PLATED OVER Ni PLATED	ALL MATERIALS MUST BE COMPLIANT TO ROHS		DWN. ZHOUYU		2003-6-13		
3	BASE	PHENOLIC RESIN	1	NATURAL							
2	FRAME	STEEL STRIP	1	Ni PLATED	APPD. KANGXINAN		SCALE : 5:4		2003-6-13		
1	KNOB	POM	1	BLACK							